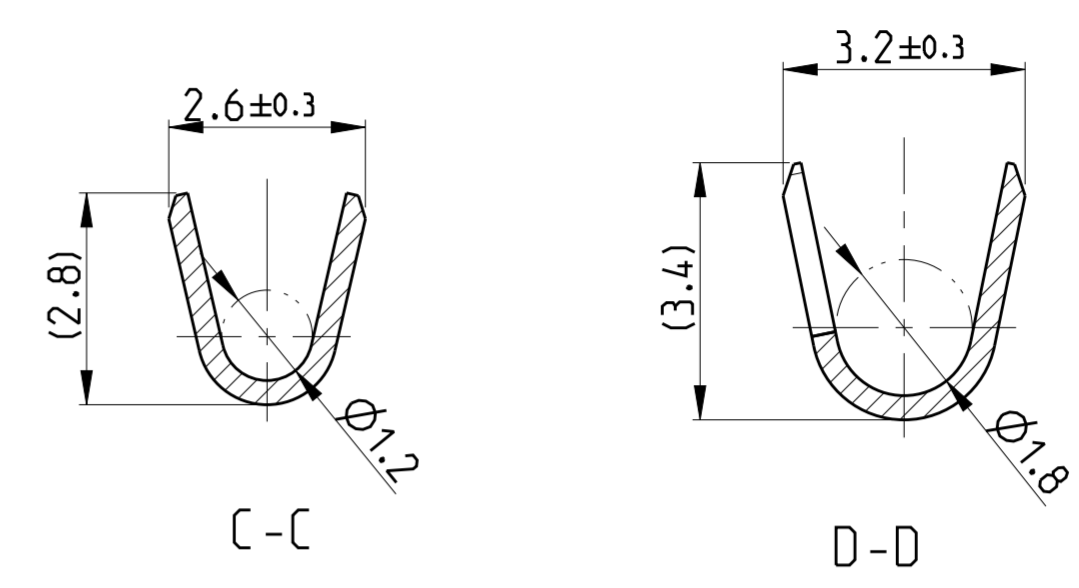
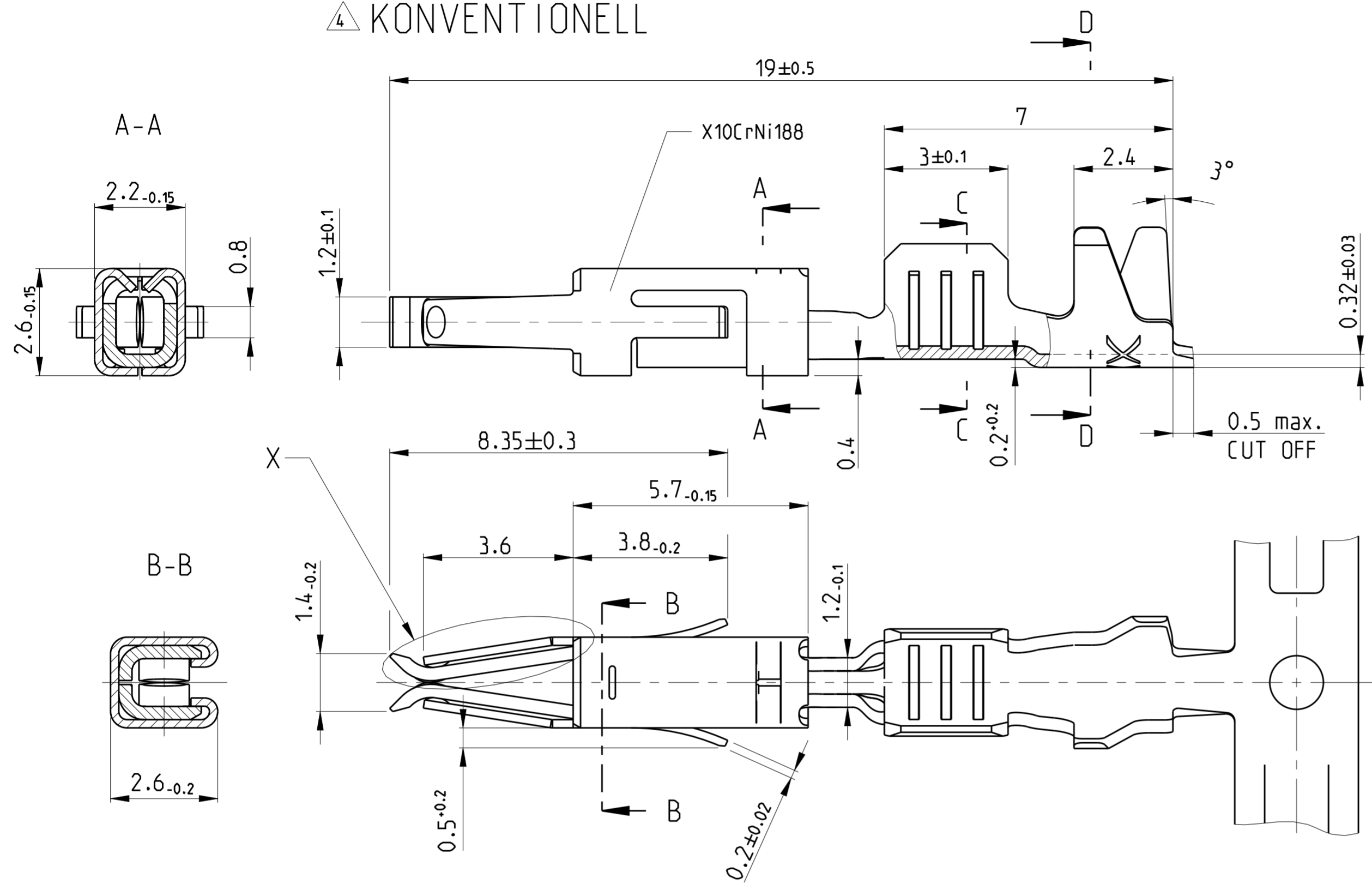


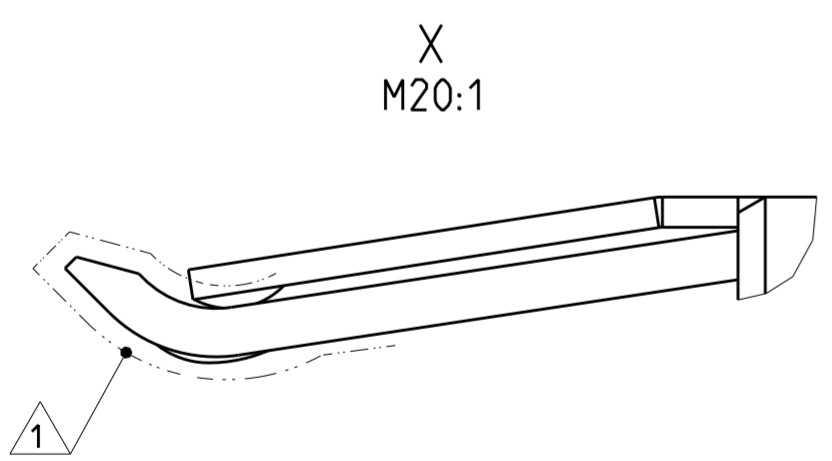
THIS DRAWING IS UNPUBLISHED. RELEASED FOR PUBLICATION  
 COPYRIGHT - ALL RIGHTS RESERVED.

LOC		DIST		REVISIONS			
P	LTR	DESCRIPTION	DATE	DWN	APVD		
A1	-						
K3		NEW VERSION OF GOLD CONTACTS PERMITTED.	18MAY2011	Kirs	Mair		
K4		OPTIONAL to note 6 TTD added. (area A3)	29JUN2011	Kirs	Mair		
K5		SET PN 's OBSOLETE	19JUN2014	Ho.	Eder		
K6		ECR-15-012070	13AUG2015	JB.JH	BK		

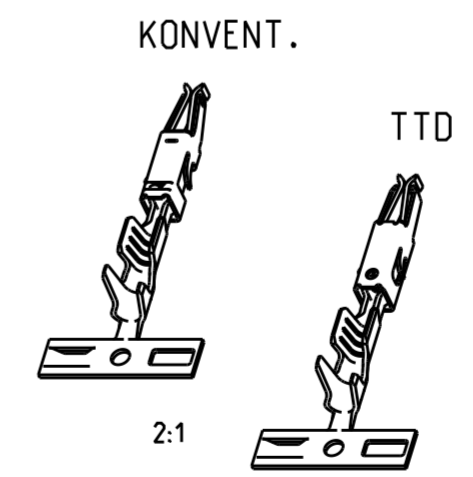
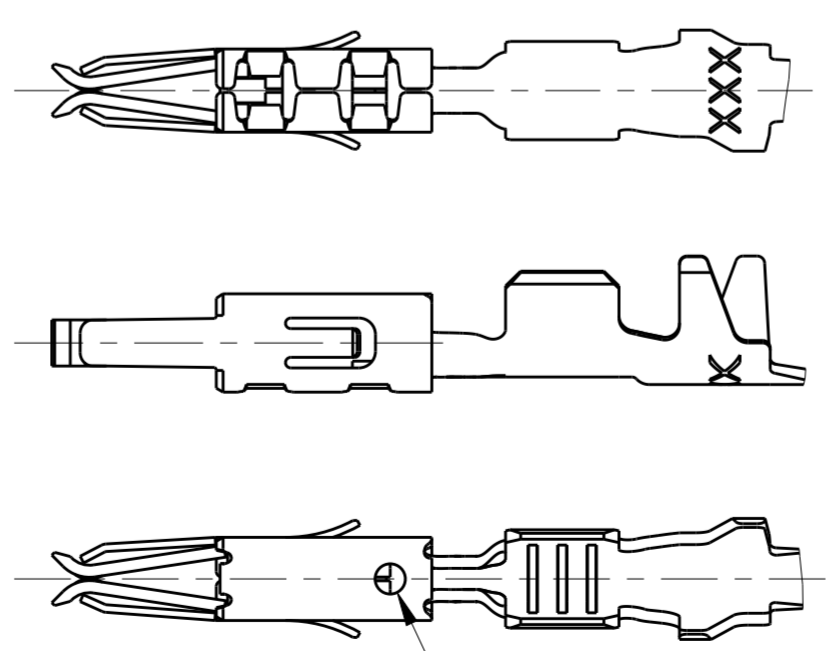
4 KONVENTIONELL



- 1 SELECTIVE GOLD PLATED MIN. 0.8 µm OVER NI  
selektiv vergoldet 0.8 µm ueber Ni
- 2 TIN PLATED MIN. 0.2 µm OVER NI  
verzinkt 0.2 µm ueber Ni
- 3 WIRE RANGE : 0.5 - 1.0 mm<sup>2</sup>  
INSULATION-Ø : 1.4 - 2.0 mm (FLR)  
Drahtgroessebereich : 0.5 - 1.0 mm<sup>2</sup>  
Isolations-Ø : 1.4 - 2.0 mm (FLR)



5 TWO TRACK DIE  
M 5:1



SINGLE CRIMP Einzelanschlag		DOUBLE CRIMP Doppelanschlag OFF / VON	WITH mit	0.2	0.35	0.5	1.0
		X	0.2			X	
X	0.35		X		X		
X	0.5				X		
X	1.0						

VERSION	SURFACE / Oberflaeche	MATERIAL	PART NO	REV
4 5	1 2	CuFe2	962943-5	K
5	PRETIN	CuFe2	962943-2	K
5	PRETIN	CuSn4	962943-1	K

THIS DRAWING IS A CONTROLLED DOCUMENT.

DIMENSIONS: mm

TOLERANCES UNLESS OTHERWISE SPECIFIED:  
 0-PLC ±  
 1-PLC ±  
 2-PLC ±0.2  
 3-PLC ±  
 4-PLC ±  
 ANGLES ±2°  
 FINISH

MATERIAL: -

DWN: R.Hofer 06JUN1989  
 CHK: H.Gehrke 13AUG1992  
 APVD: Bleicher, M. 03AUG2008

PRODUCT SPEC: 108-18055  
 APPLICATION SPEC: 114-18081  
 WEIGHT: 0.3 g

Customer Drawing

STE TE Connectivity

MICRO TIMER 2 CONTACT WITH DOUBLE LOCKING LANCE mit doppelter Rastfeder

SCALE: 10:1 SHEET 1 OF 1 REV K6